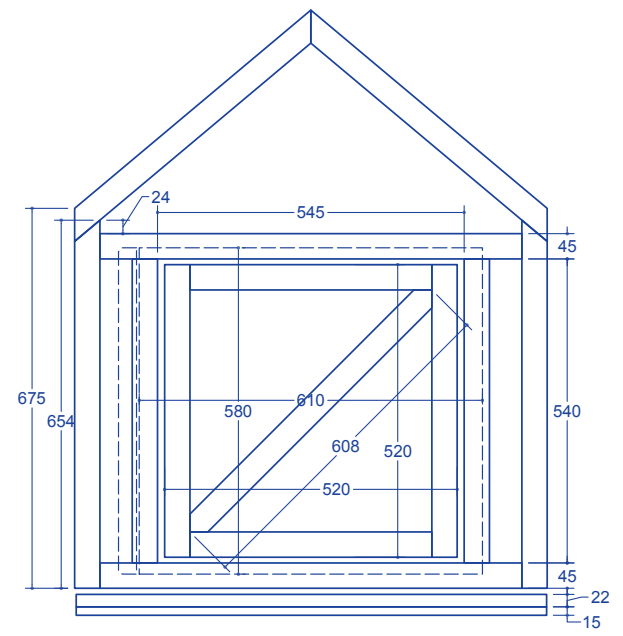
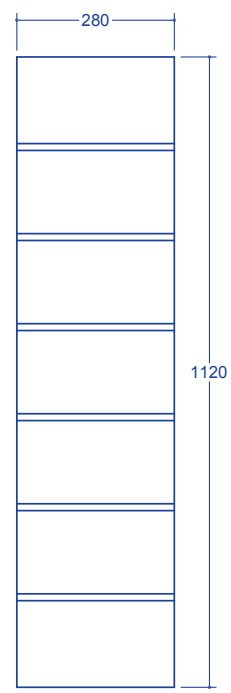


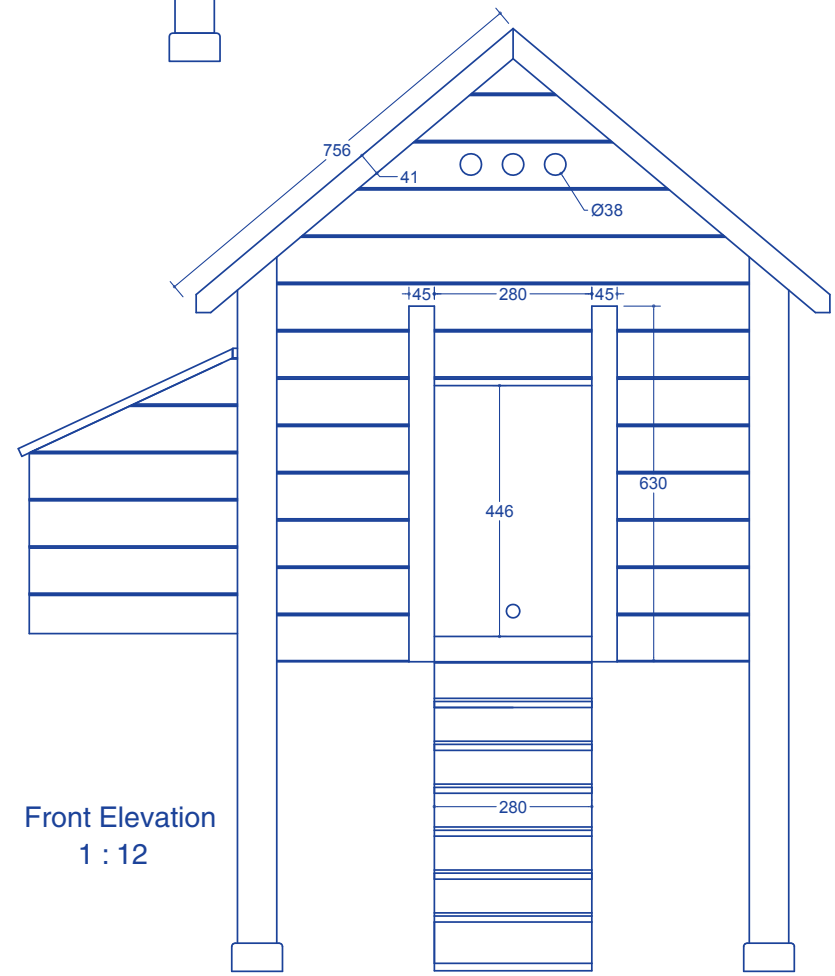
Section showing front frame
1 : 12



Section showing back frame
1 : 12



Ramp Plan
1 : 12



Front Elevation
1 : 12